

ADJUSTABLE FLOOR DRAIN WITH ROUND CAST IRON GRATE & VENEER

862 SERIES

SPECIFICATION

Sioux Chief 862 Series coated cast iron adjustable floor drain with anchor flange, weep holes, clamping collar, adjustable round cast iron top with nickel-bronze veneer, vandal-resistant secured grate, 1/2" NPT trap primer (plugged) and bottom outlet. Designed in accordance with ASME A112.6.3

General purpose floor drain for use in finished floor areas with heavy-duty traffic.

MATERIALS

Drain body: cast iron
Clamping collar: cast iron
Head/grate: cast iron
Rim/grate veneer: nickel-bronze

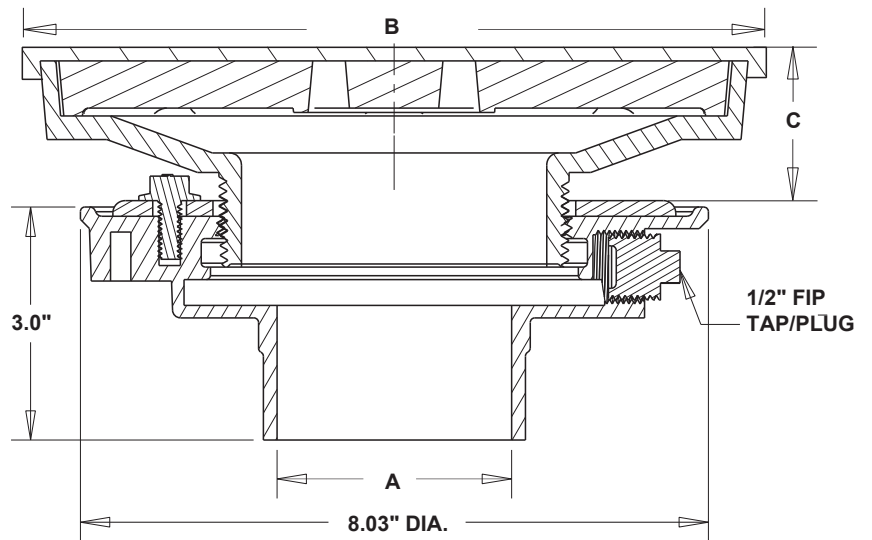
LOAD RATING

Extra Heavy-duty (7,500 - 10,000 lbs).

DIMENSIONS

A: Connection size (No-Hub)	2", 3", 4"		
B: Top diameter	7"	9"	
C: Strainer adjustment	1.5" - 2.75"	1.75" - 2.75"	
Strainer free-area	15.8 in ²	22.5 in ²	

ITEM # SUBMITTED	_____
JOB NAME	_____
LOCATION	_____
ENGINEER	_____
CONTRACTOR	_____
PO#	_____ TAG _____



Create Item Number

862-ABCD

e.g. **862-2371NB:** Floor drain - 3" No-Hub connection, 7" round cast iron head/strainer with nickel-bronze veneer and debris bucket

CONNECTION TYPE **A**

2 = No-Hub outlet
6 = Push-Joint outlet

CONNECTION SIZE **B**

2 = 2"
3 = 3"
4 = 4"

STRAINER DIAMETER **C**

7IN = 7" round
9IN = 9" round

OPTIONS **D**

B = Debris bucket
E = Drain head extension adapter¹
9 = Side-outlet connection²

1: Cast iron - MIP x FIP thread | 2: For 3" and 4" No-Hub connection only